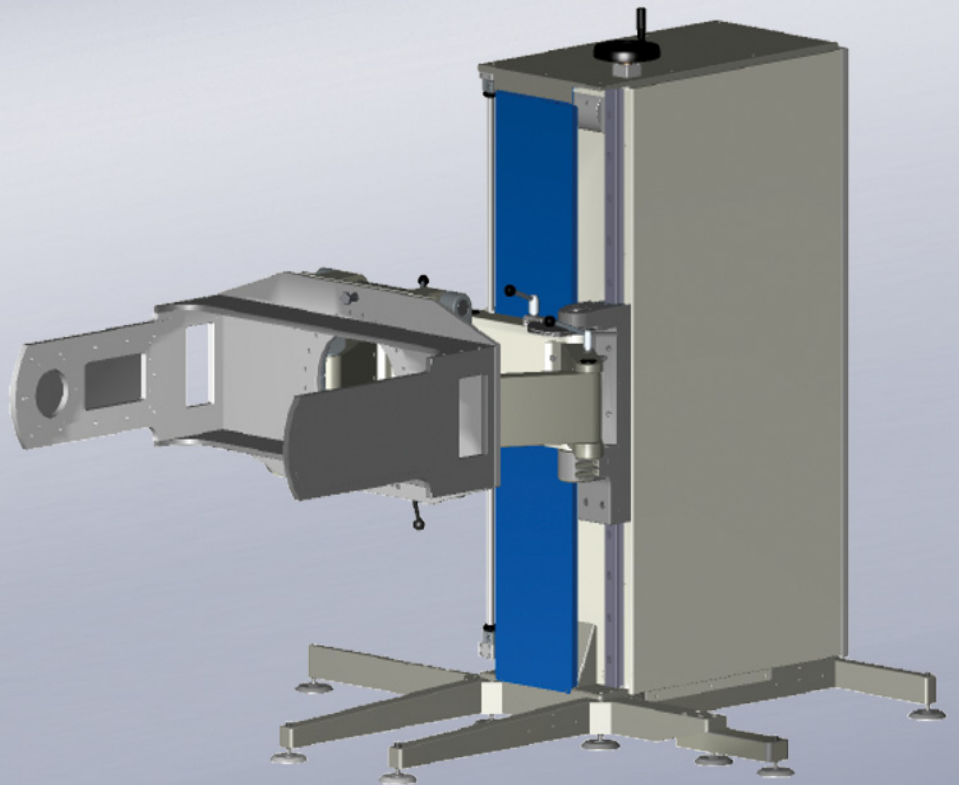


Universal test head manipulator
Agilent E6979F

*we can **handle** it*



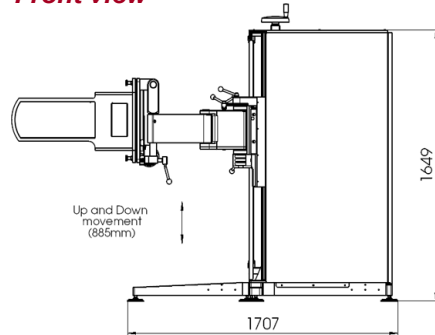
Weight capacity
630 kg

Fully integrated
system

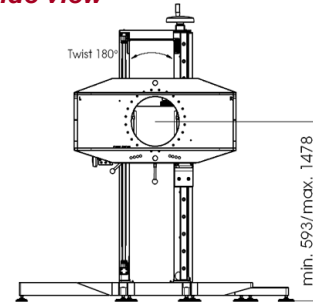
Free floating x-, y-
plane

Test head manipulator Agilent E6979F

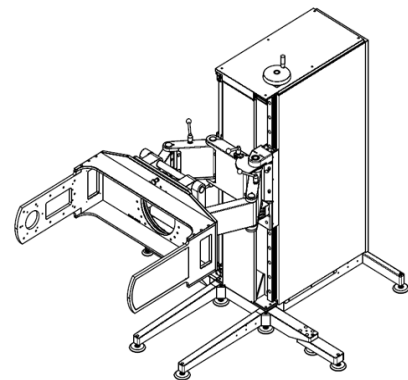
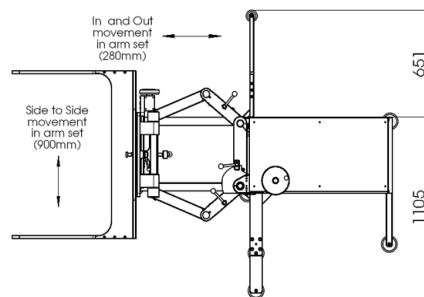
Front view



Side view



Top view



Technical Data:

Agilent

Range of motions:		Weight:	
Degrees of freedom	5 + 1	Weight capacity	630 kg
Linear motions:		Dimensions:	
Side to Side	900 mm	Footprint	1707 x 1756 mm
In and Out	280 mm		
Vertical travel	885 mm		
Rotary motions:			
Twist	180°		
Swing	90°		
Theta	free floating +/- 20°		
Setup adjustment:			
Arm sag	+/- 5°		

Floor load diagrams and layout proposals on demand.



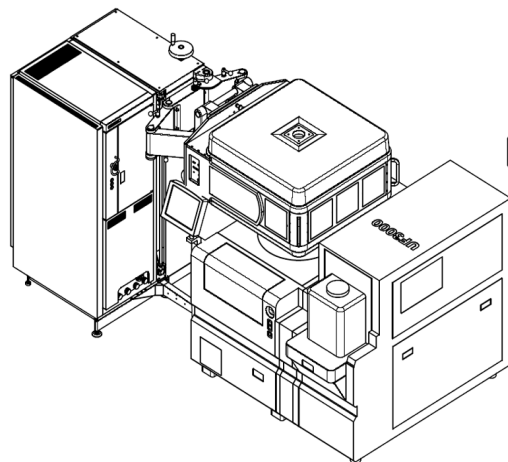
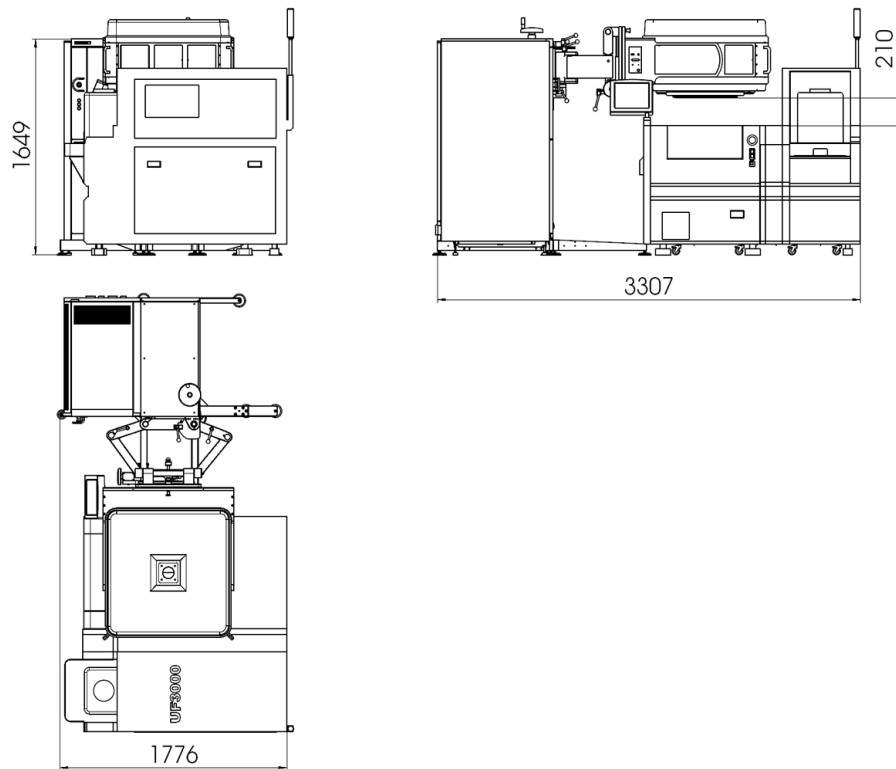
Test head manipulator Agilent E6979F

Accretech UF3000 docking with Agilent 93000 SOC



MICROHANDLING

stands for over 20 years of experience in the field of test handlers and test head manipulators providing German quality worldwide.



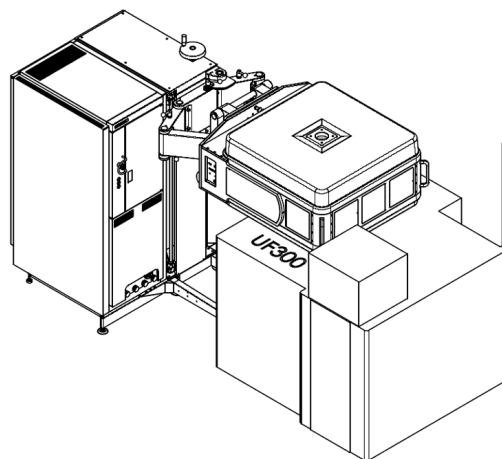
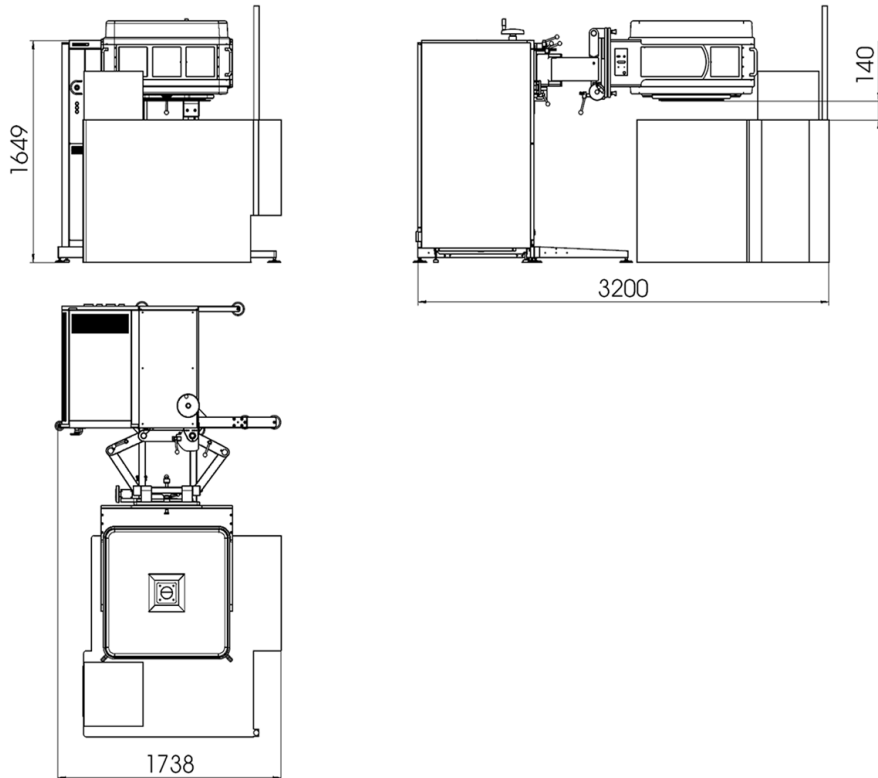
Test head manipulator Agilent E6979F

Accretech UF300 docking with Agilent 93000 SOC



MICROHANDLING

stands for over 20 years of experience in the field of test handlers and test head manipulators providing German quality worldwide.



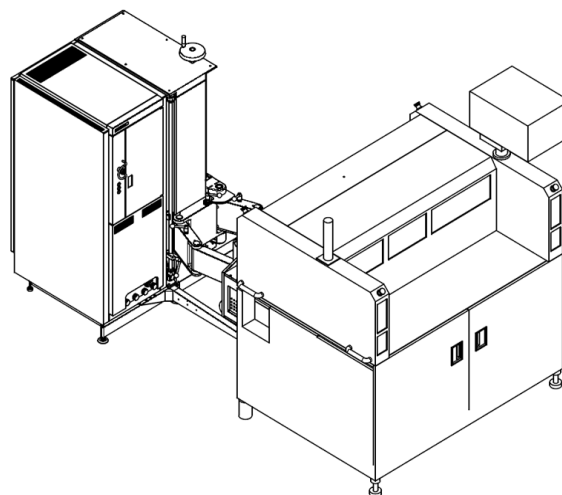
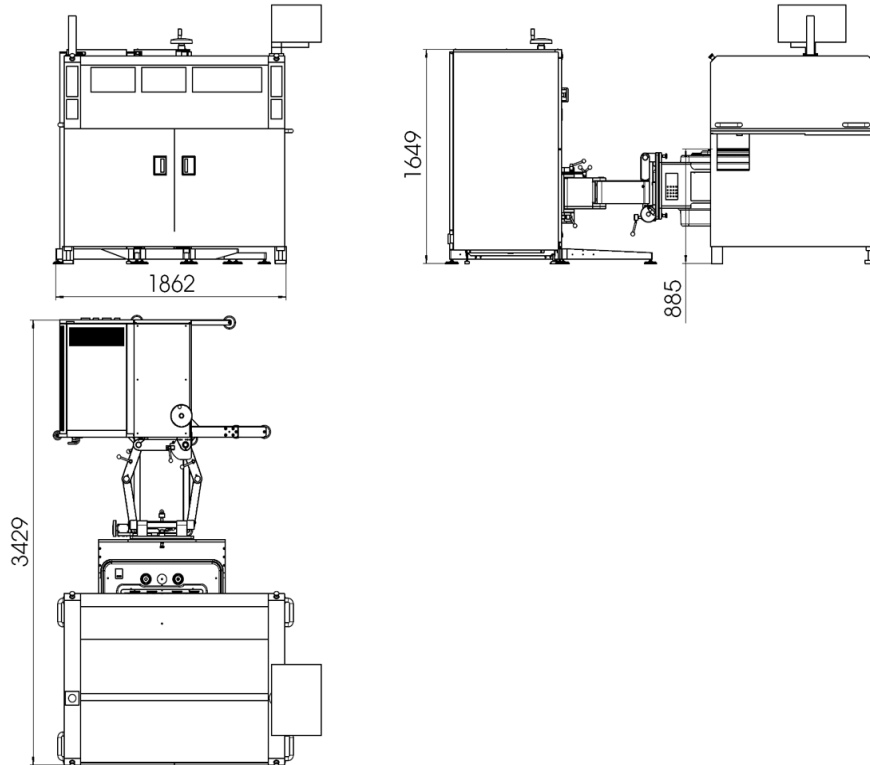
Test head manipulator Agilent E6979F

Seiko Epson 6040 docking with Agilent 93000 SOC



MICROHANDLING

stands for over 20 years of experience in the field of test handlers and test head manipulators providing German quality worldwide.



Test head manipulator Agilent E6979F

Delta Castle docking with Agilent 93000 SOC



MICROHANDLING

stands for over 20 years of experience in the field of test handlers and test head manipulators providing German quality worldwide.

